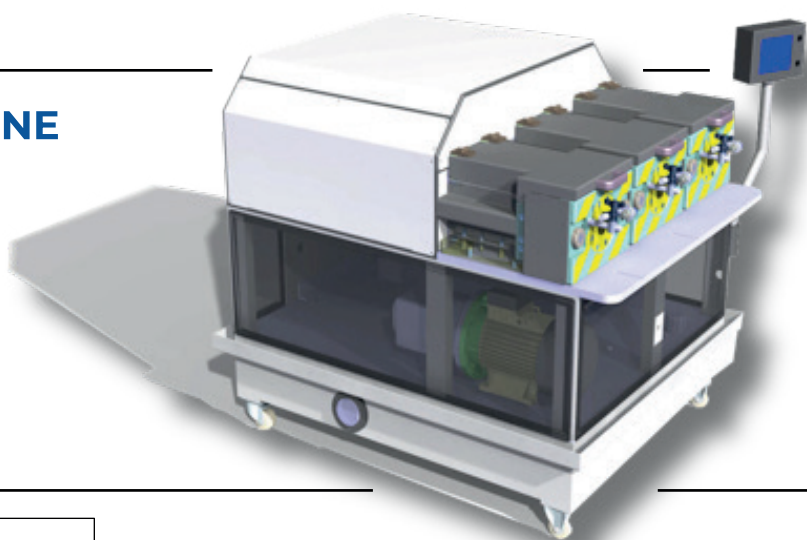


DESCRIPTION OF THE MACHINE

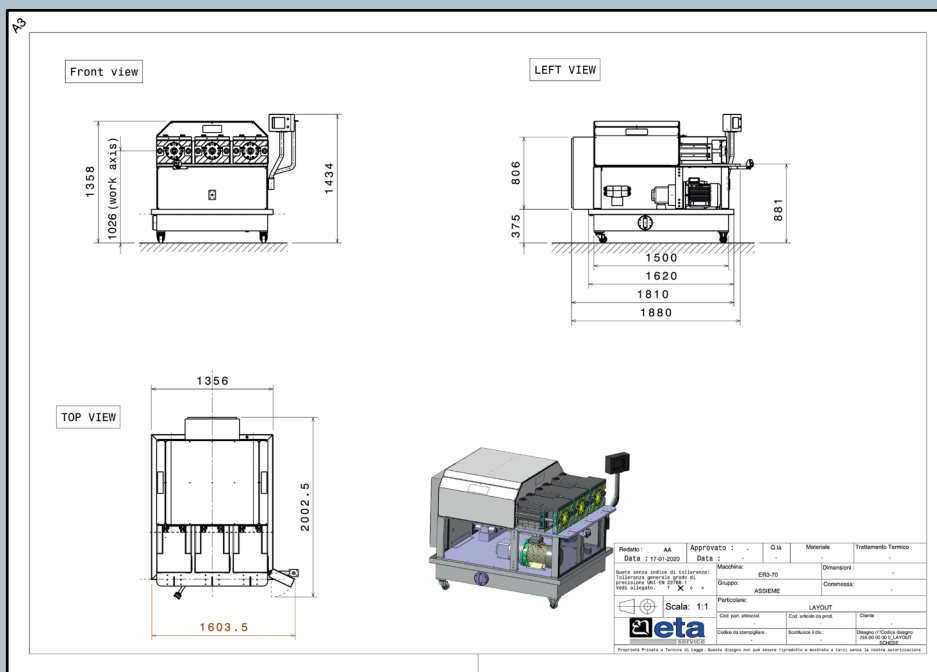
THE MACHINE IS BUILT TO PERFORM ENLARGEMENT AND / OR REDUCTION ENDS OF PIPES, USING SPECIAL RADIAL TOOLS. IT'S POSSIBLE TO MAKE DIMPLES BY SPECIAL TOOLS.

(WORK DIAMETER Ø80)



FRAME WITH BUILT-IN HYDRAULIC UNIT
WHEEL KIT FOR MACHINE MOVEMENT
PLC FOR MACHINE CONTROL
PUSH-BUTTON PANEL OR PEDAL BOARD FOR CYCLE START
PROGRAMMING KEYBOARD (TOUCH SCREEN)
ELECTRONIC CONTROL OF WORKING QUOTAS
ELECTRICAL CABINET ON BOARD
MAGNETIC OR ELECTROMECHANICAL SAFETY SWITCHES
SAFETY COVERS

I/O TOOL



TECHNICAL SPECIFICATIONS

Tension: 400V	Work diameter: 35-80 mm
Frequency: 50Hz	MAX calibration length: 80mm (dependent thickness / diameter)
Auxiliar circuits Tension: 24V	MAX reduction: 8mm single step
Width (mm): 1356	MAX enlargement: 8mm single step
Length (mm): 1880	Pipe Thickness MAX: 2.5mm
Height (mm): 1360	Average machine time (sec): 2/5
Weight Kg: 1700 (without oil)	Average set up time (min): 5

OPTIONAL

DESCRIPTION

Hoist	Hoist 200Kg for lifting tools, incorporated in the machine
Front plate	Table incorporated with the machine for blocking positioners
Remote assistance System	Remote assistance system via internet
Objectivation sensors	Connector for piece presence sensor or special cycles
OK / NOK piece control heads	Plug for conformal piece checking during the work cycle