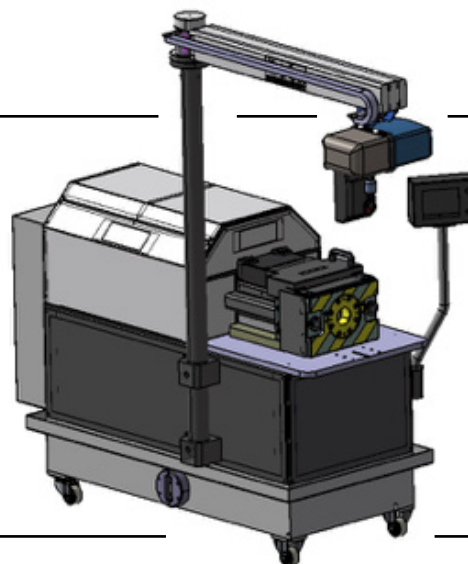


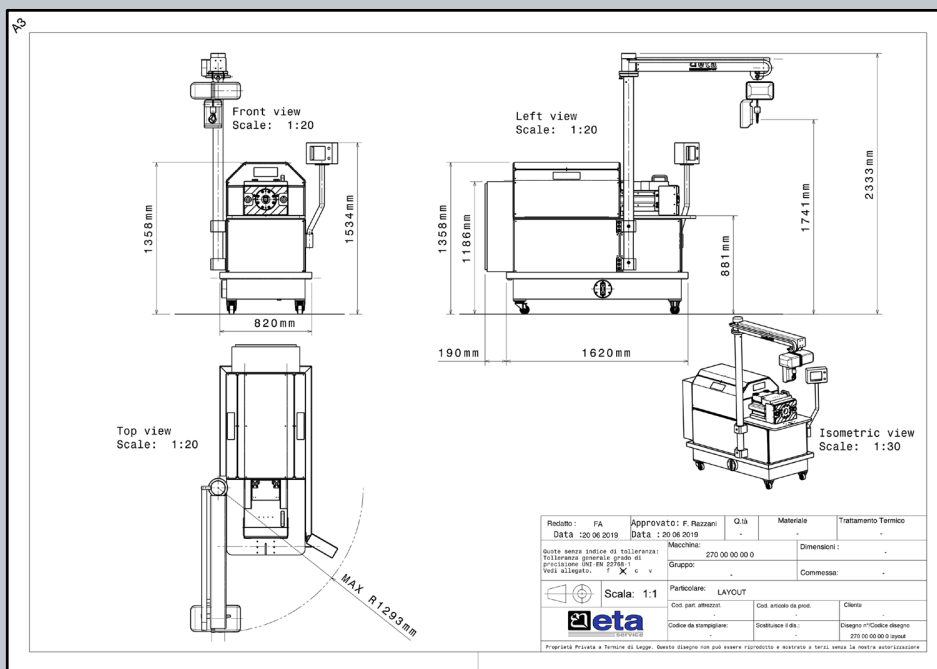
DESCRIPTION OF THE MACHINE

THE MACHINE IS BUILT TO PERFORM ENLARGEMENT AND / OR REDUCTION ENDS OF PIPES, USING SPECIAL RADIAL TOOLING. IT'S POSSIBLE TO MAKE DIMPLES BY SPECIAL TOOLS.



FRAME WITH BUILT-IN HYDRAULIC UNIT
WHEEL KIT FOR MACHINE MOVEMENT
PLC FOR MACHINE CONTROL
PUSH-BUTTON PANEL OR PEDAL BOARD FOR CYCLE START
PROGRAMMING KEYBOARD (TOUCH SCREEN)
ELECTRONIC CONTROL OF WORKING QUOTAS
ELECTRICAL CABINET ON BOARD
MAGNETIC OR ELECTROMECHANICAL SAFETY SWITCHES
SAFETY COVERS

I/O TOOL



TECHNICAL SPECIFICATIONS

Tension: 400V	Work diameter: 35-80 mm
Frequency: 50Hz	MAX calibration length: 80mm (dependent thickness / diameter)
Auxiliar circuits Tension: 24V	MAX reduction: 8mm single step
Width (mm): 820	MAX enlargement: 8mm single step
Length (mm): 1900	Pipe Thickness MAX: 2.5mm
Height (mm): 1360	Average machine time (sec): 2/5
Weight Kg: 1300	Average set up time (min): 5

OPTIONAL

DESCRIPTION

Hoist	Hoist 200Kg for lifting tools, incorporated in the machine
Front plate	Table incorporated with the machine for blocking positioners
Remote assistance System	Remote assistance system via internet
Objectivation sensors	Connector for piece presence sensor or special cycles.
OK / NOK piece control heads	Plug for conformal piece checking during the work cycle